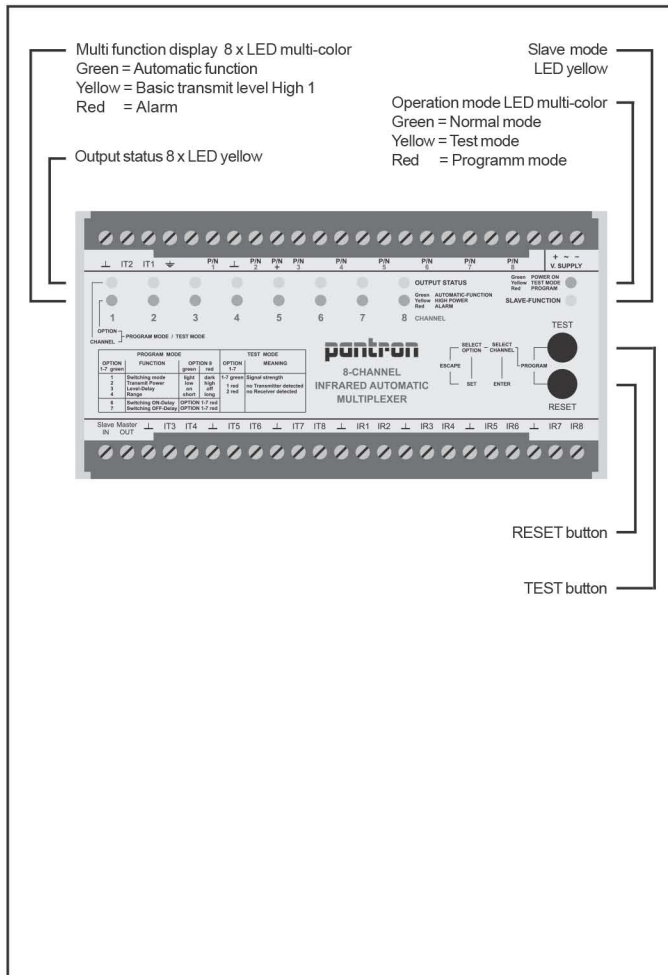
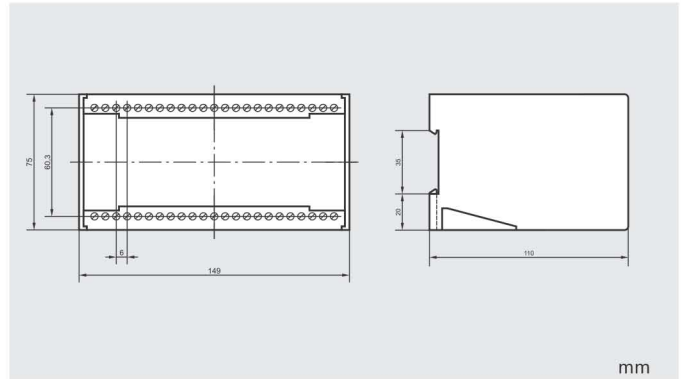


IMX-Series

8-channel automatic-multiplexer IMX-A830...



- Detection range up to 55 m (180 ft)
- Transmit power with automatic adjustment
- Test function to check installation and signal quality
- 1 transistor output npn / pnp per channel
- Programmable switch-on, switch-off and adjustment-delay for each channel
- Switching mode light / dark programmable
- 2 different basic transmit levels programmable
- Master-Slave mode



Technical data at +20°C (+65°F)

Supply power	see purchase order table
Operation basis	modulated IR-light
Transmit frequency	4,0 kHz
Switching mode	light / dark
System power	Low / High
Multiplex speed	34 ms
Switching delay	0 ... 7 s
Master-Slave-mode	yes
Light curtain mode	-
Transistor output max. load	8 x npn / pnp, max. 30 V DC / 100 mA
Switching frequency	15 Hz
Alarm output	pnp, 24 V DC / 100 mA (...AC: 5 mA)
Housing material	plastic
Protection class	IP 20
Connection	terminal-block 4 mm ²
Operation temperature	-25°C ... +50°C (-13°F ... +122°F)

Purchase order table

Supply voltage	Order code
230 V AC / ±10 % / 10,0 VA	IMX-A830/230VAC
115 V AC / ±10 % / 10,0 VA	IMX-A830/115VAC
24 V AC / ±10 % / 10,0 VA	IMX-A830/24VAC
24 V DC / ±20 % / 8,0 W	IMX-A830/24VDC

Accessories

Max. range

	Receiver IRL...	Receiver IRH...
Transmitter ITL...	8 m (26 ft)	15 m (49 ft)
Transmitter ITH...	10 m (33 ft)	20 m (66 ft)
Transmitter ITA...	20 m (66 ft)	55 m (180 ft)

Connection diagram

