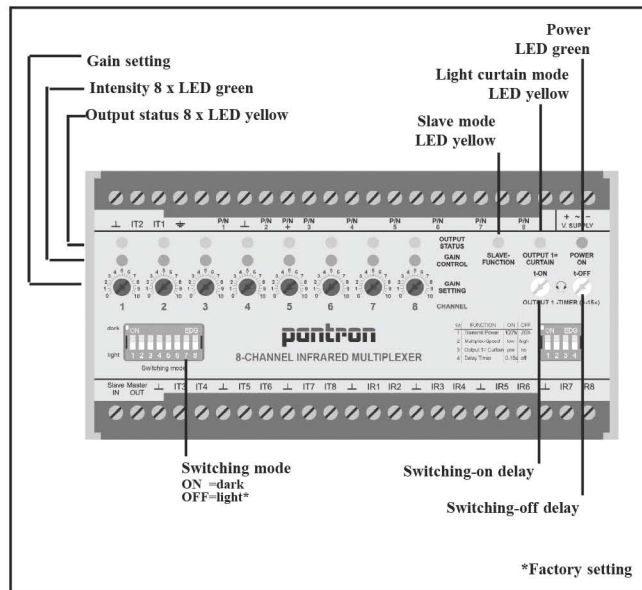
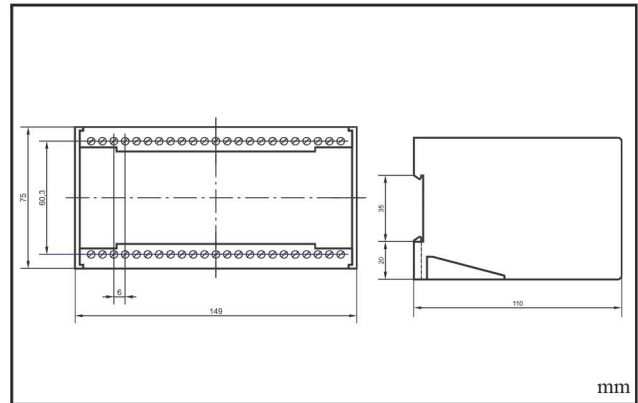


Multiplexer

8-channel manual IMX-N830...

- Detection range up to 25 m (82ft)
- Sensitivity for each channel adjustable with potentiometer
- One transistor output NPN / PNP for each channel
- Adjustable switch-on and switch-off delay for channel one
- System power 20 % / 100 % switchable
- Switching mode light / dark selectable for each channel
- Multiplex speed 64 ms / 32 ms switchable
- Master-Slave mode
- Light curtain function



DIP switch settings

1		2		3		4	
System - power		Multiplex-speed		Light curtain mode		Switching delay	
100%	ON	32 ms	ON	on	ON	on	ON
20%	OFF	18 ms	OFF	off	OFF	off	OFF

Technical Data at +68°F

Max. range (through beam)	
Sensors IT-P10, IR-P10	15 m (49ft)
Sensors IT-P10HP, IR-P10	25 m (82ft)
Supply voltage	purchase order table below
Operating basis	modulated IR light
Transmit frequency	4.0 kHz
Switching mode	light / dark switchable
System power	20% / 100% switchable
Multiplex speed	64 ms / 32 ms
Switching delay	0 ... 15 s
Master-Slave mode	yes
Light curtain mode	yes
Transistor output	8 X npn / pnp, max. 30 VDC
Maximum load	100 mA
Switching frequency	15 Hz
Housing material	plastic
Protection class	IP 20
Connection	clip 4 mm ²
Operating temperature	-13°F ... +140°F

Purchase order table	Model
230 VAC / +/- 10% / 10 VA	IMX-N830/230 VAC
115 VAC / +/- 10% / 10 VA	IMX-N830/115 VAC
24 VAC / +/- 10% / 10 VA	IMX-N830/24 VAC
24 VDC / +/- 20% / 8 W	IMX-N830/24 VDC

