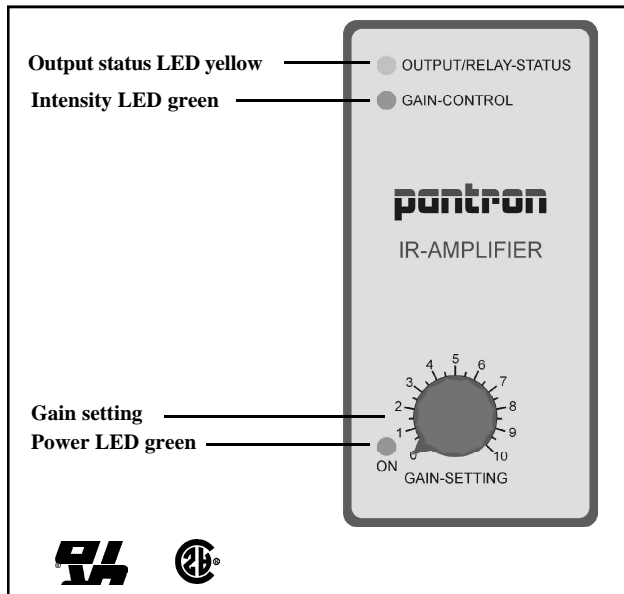
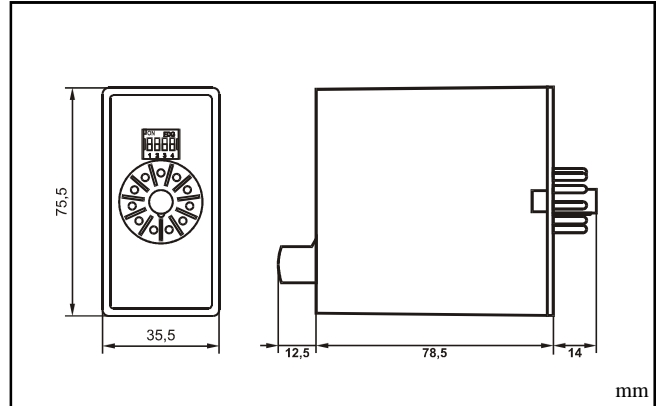


Amplifier

1-channel manual ISG-N24...



- Detection range up to 35 m (115ft)
- Sensitivity adjustable with potentiometer
- Relay output
- Transistor output NPN / PNP
- Test input
- 4 different selectable transmit frequencies
- System power 20 % / 100 % switchable
- Switching mode light / dark selectable



Technical Data

at +68°F

Max. range (through beam)	
Sensors II-P10, IR-P10	25 m (82ft)
Sensors II-P10HP, IR-P10	35 m (115ft)
Supply voltage	purchase order table below
Operating basis	modulated IR light
Transmit frequency	3.5 / 3.8 / 4.0 / 4.5
Switching mode	light / dark switchable
System power	20% / 100% switchable
Switching delay	-
Relay output	changeover, 5 A / 230 VAC
Switching frequency	18 Hz
Transistor output	DC: npn / pnp, 100 mA (30 VDC) AC: npn, 30 mA / pnp, 5 mA (12 VDC)
Switching frequency	30 Hz
Housing material	plastic
Protection class	IP 40
Operating temperature	-13°F ... +140°F

DIP switch settings

1		2		3		4
System power		Switching mode		Transmit frequency		
20%	ON	dark	ON	3.5 kHz	ON	ON
				3.8 kHz	ON	OFF
100%	OFF	light	OFF	4.0 kHz	OFF	ON
				4.4 kHz	OFF	OFF

Purchase order table

Supply voltage	Model
----------------	-------

230 VAC / +/- 10% / 2.4 VA	ISG-N24/230 VAC
115 VAC / +/- 10% / 2.4 VA	ISG-N24/115 VAC
24 VAC / +/- 10% / 2.4 VA	ISG-N24/24 VAC
24 VDC / +/- 20% / 2.0 W	ISG-N24/24 VDC

Connection diagram

