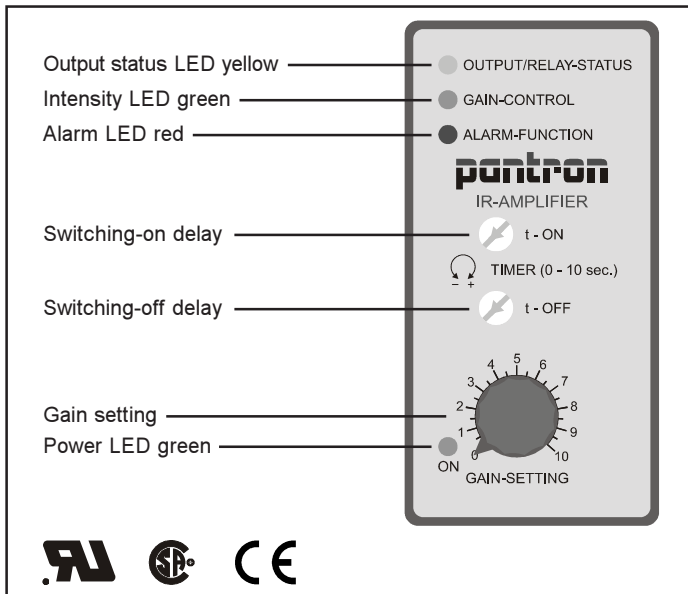
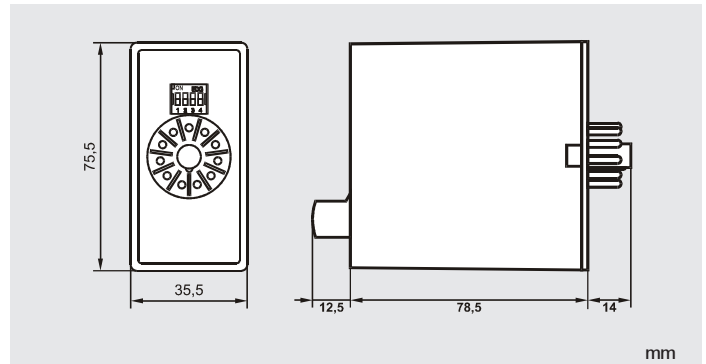


Amplifier

1-channel amplifier ISG-N37...



- Detection range up to 35 m
- Sensitivity adjustable with potentiometer
- Relay output
- Transistor output npn / pnp
- Adjustable switch-on and switch-off delay
- Alarm output for indication of functional reserve
- 4 different selectable transmit frequencies
- System power 20 % / 100 % switchable
- Switching mode light / dark selectable



Technical Data

at +20 °C

Max. range (through beam)	
Sensor heads IT-P10, IR-P10	25 m
Sensor heads IT-P10HP, IR-P10	35 m
Supply voltage	see purchase order table below
Operating basis	modulated IR light
Transmit frequency (kHz)	3,5 / 3,8 / 4,0 / 4,5
Switching mode	light / dark, switchable
System power	20 % / 100 %, switchable
Switching delay	0 ... 10 s
Relay output	changeover, 5 A / 230 V AC
Switching frequency	12 Hz
Transistor output	DC: npn / pnp, 100 mA (30 V DC) AC: npn, 30 mA / pnp, 5 mA (12 V DC)
Switching frequency	20 Hz
Alarm output	DC: npn / pnp, 100 mA (30 V DC) AC: npn, 30 mA / pnp, 5 mA (12 V DC)
Test input	-
Housing material	plastic
Protection class	IP 40
Operation temperature	-25 °C ... +60 °C

Purchase order table

Supply voltage	Model
230 V AC / ±10 % / 2,4 VA	ISG-N37/230VAC
115 V AC / ±10 % / 2,4 VA	ISG-N37/115VAC
24 V AC / ±10 % / 2,4 VA	ISG-N37/24VAC
24 V DC / ±20 % / 2,0 W	ISG-N37/24VDC

Accessories

11-pole DIN socket	ISO 1
--------------------	-------

DIP switch setting

1		2		3		4	
System power		Switching mode		Transmit frequency			
20 %	ON	dark	ON	3,5 kHz	ON	ON	
				3,8 kHz	ON	OFF	
100 %	OFF	light	OFF	4,0 kHz	OFF	ON	
				4,4 kHz	OFF	OFF	

The factory setting is marked in gray

Connection diagram

