

## ISG-A113

### Features

- Amplifier with modulated infrared light
- Range up to 50 m (164 ft)
- High immunity to ambient light and interference from other light barriers
- Automatic Level Control (ALC) according to assembly distance and direction
- Two basic transmit levels
- Transistor output (npn/pnp)
- Transmitter and receiver connections are short-circuit proof
- 11-pin DIN rail mounting socket for simple installation

### Ordering Table

Supply voltage	Order code
230 V AC	ISG-A113/230VAC
115 V AC	ISG-A113/115VAC
24 V AC	ISG-A113/24VAC
24 V DC	ISG-A113/24VDC

Accessories	Order code
11-pin DIN mounting socket	ISO1
Protective enclosure	PanBox 1x1
Retaining clip	RTC11

### Safety Instructions



The infrared light barriers ISG-... are not safety systems and should not be used as such systems. The devices are not to be used for applications, where personal safety is dependent on their function.

### Short Description

This 1-channel automatic amplifier has set a new standard for devices of this type. It is an amplifier with an integrated analysis unit. The automatic gain setting enables the user to simplify the installation and work.

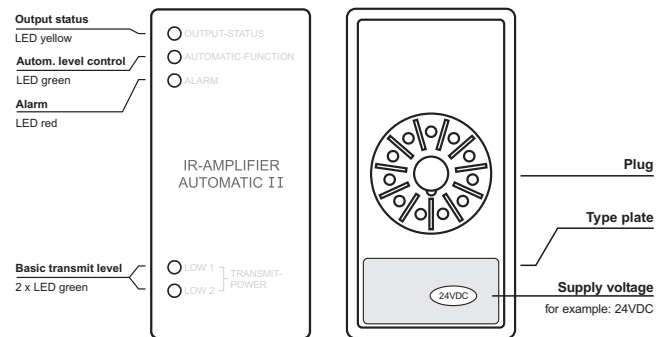
The amplifier can be switched to different working conditions by using a bridge at the socket. The sensitivity of the device can be switched to 2 basic transmit levels using the same method. Also, the transmitter power can be increased to optimize object recognition.

An alarm display and output, which shows the limit of the transmit power and is connectable with a PLC, enables users to safely work with the photoelectric amplifier.

Infrared transmitters and receivers in different, compact and robust designs are described in the sensor heads datasheet.



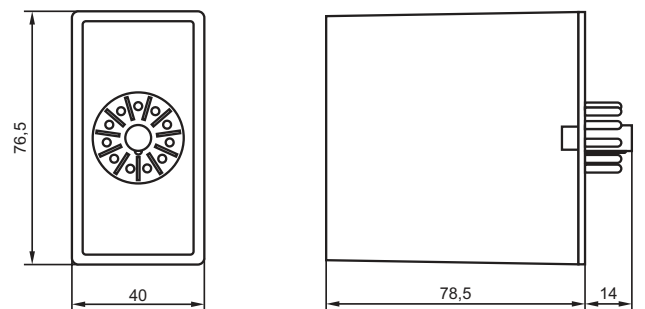
### Device Overview



### Switching logic

Beam status	Output status	
	Indicator	Output
		npn: open pnp: pnp+
		npn: 0 V pnp: open

### Dimensions (in mm)



## ISG-A113

### Technical Data (at 20 °C / 68 °F)

Supply voltage ...AC	230/115/24 V AC / ±10%	
Supply voltage ...DC	24 V DC / ±10%	
Power consumption (max.)	...AC: 4,1 VA	...DC: 1,9 W
Power loss (max.) (EN 61439)	...230VAC : 3,4 W	...24VDC: 1,9 W
	...115VAC : 3,4 W	
	...24VAC : 3,2 W	
max. Range (through beam)	Receiver IRL-...	Receiver IR-..., IRH-...
Transmitter IT-..., ITL-...	7 m (23 ft)	15 m (49 ft)
Transmitter IT-...HP, ITH-...	12 m (39 ft)	25 m (82 ft)
Transmitter ITA-...	20 m (66 ft)	50 m (164 ft)
Operating basis	modulated IR-light	
Transmit frequency (kHz)	3,9	
System power	automatic	
Basic transmit level	Low1 / Low2	
Switching behavior	light	
Switching delay	—	
ALC delay	—	

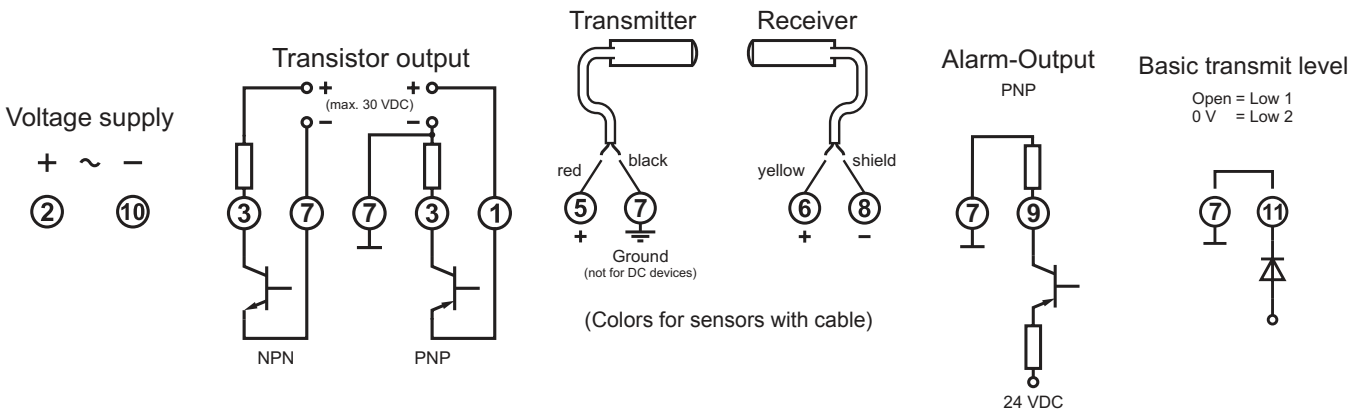
Relay output	—
Transistor output	nnp / pnp
Switching data (max.)	100 mA / 30 V DC
Reaction time T <sub>ON</sub> / T <sub>OFF</sub>	25 ms / 25 ms
Alarm output	pnp
Switching data (max.) ...AC	24 V DC / 5 mA
Switching data (max.) ...DC	24 V DC / 100 mA
Test input	—
MTBF (EN/IEC 61709)	2,7 · 10 <sup>6</sup> h (T <sub>ambient</sub> = 40 °C / 104 °F)
Operating temperature	-25 ... 60 °C (-13 ... 140 °F)
Storage temperature	-40 ... 80 °C (-40 ... 176 °F)
Mounting orientation	see below
Housing material	Plastic
Housing protection	IP 40
Mounting	11-pin DIN socket
Dimensions (mm)	40 x 76,5 x 78,5

### Connection Diagram



Before connecting the amplifier, look on the type plate and check if the power supply is the same as the connection value. Other values can impair the unit functions or destroy the amplifier.

**Caution!** The AC-supply devices are isolated from main. A grounded connection on the low voltage side is required (PIN 7).

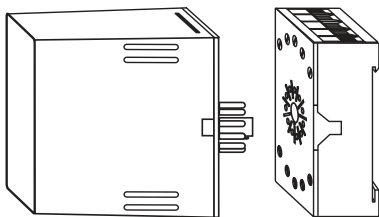


### Mounting orientation

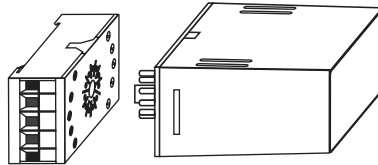


For optimum heat dissipation there are ventilation slots in the housing. Ventilation slots must be clean and opened.

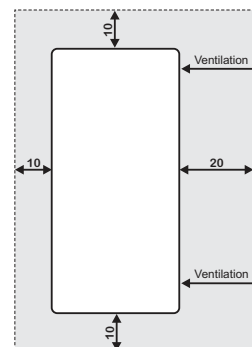
**Caution!** Maintain the minimum distances (see picture 3: Distances).



picture 1: Vertical mounting orientation, ventilation slots right



picture 2: Horizontal mounting orientation, ventilation slots top



picture 3: Distances (mm)