

PanBox

Features

- Impact resistant polycarbonate
- Transparent cover
- Protection class IP 66
- Cable gland M12 and M16

Order table

for amplifier	Order code
1 x ISG-.../ISM-1...	PanBox 1x1
3 x ISG-...	PanBox 3x1
1 x IMX-N2.../IMX-N3.../ IMX-A2.../ISM-2...	PanBox 1x2
1 x IMX-N4.../ISM-4...	PanBox 1x4
1 x IMX-N8.../IMX-A8.../ISM-8...	PanBox 1x8

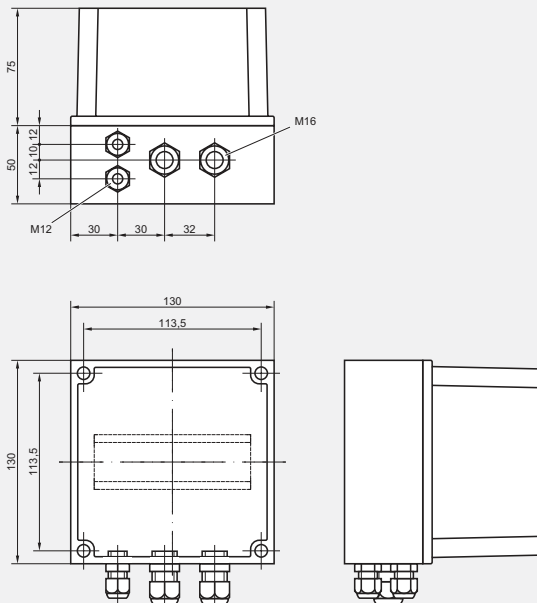
Technical Data

Material	
Base	Fibreglass reinforced Polycarbonate
Cover	Polycarbonate
Cover screws	Polyamide
Ingress protection (EN 60529)	IP 66
Impact resistance (EN 50102)	IK 08
Electrical insulation	totally insulated
Colour	
Base	Industry grea (RAL 7035)
Cover	Smoked grey
Gasket	Polyurethan
Enclosure flammability rating	UL94-5V
Ambient temperature	-40°C ... 120°C (-40°F ... 250°F)
Permanent temperature	-40°C ... 80°C (-40°F ... 175°F)

Dimension drawings (in mm)

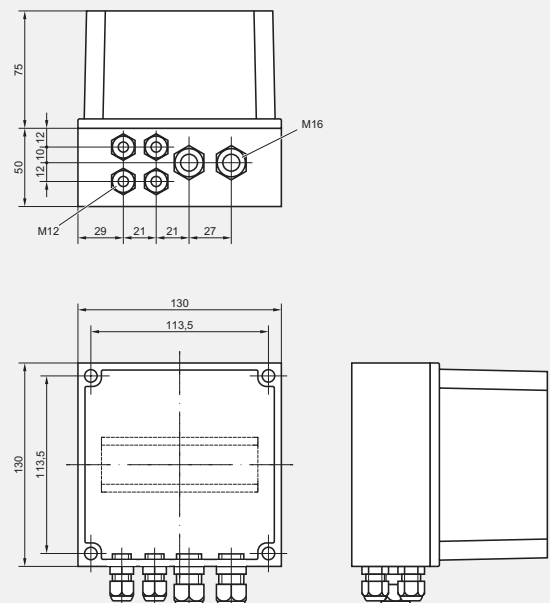
PanBox 1x1

for one 1-channel-amplifier (series ISG-.../ISM-...)



PanBox 1x2

for one 2-channel-amplifier (series IMX-.../ISM-...)



Short description

The PanBox are enclosures for protection of the light barrier amplifiers against dust and moisture. They are specially prepared for the light barrier amplifier of the series ISG-... and IMX-... by cable glands. Because of the transparent cover the displays of the built-in devices can be read in the closed condition.



Note!

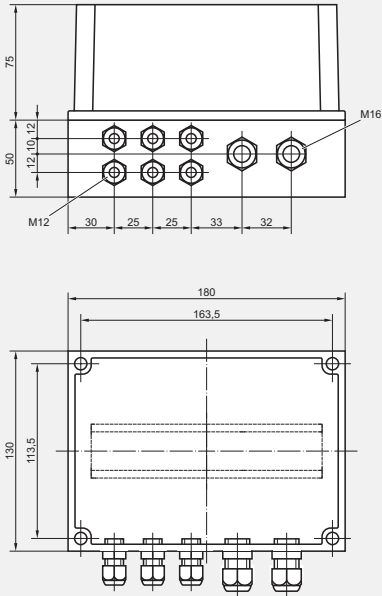
Not used cable glands must be replaced with a blind plug.

PanBox

Dimension drawings (in mm)

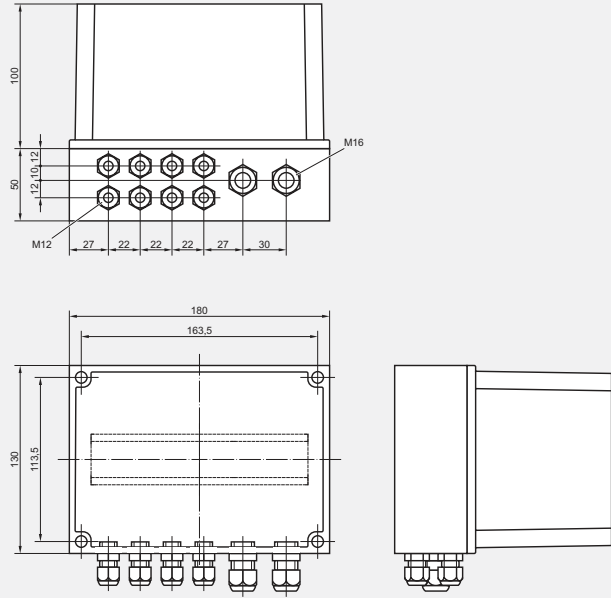
PanBox 3x1

for three 1-channel-amplifier (series ISG-.../ISM-...)



PanBox 1x4

for one 4-channel-amplifier (series IMX-.../ISM-...)



PanBox 1x8

for one 8-channel-amplifier (series IMX-.../ISM-...)

